



# Product Change Notification

PCN-20240422.HFX

Dear valued Customer,

ABB Cable Management Product Ltd. Will make the changes described below to products within the Harnessflex Cable Protection product range.

Products affected by the change:		
Catalog PN	Product Description	COO
CI08-AM4	Connector Interface	HU
CI12-AM4	Connector Interface	HU
CI08-AS4	Connector Interface	HU
CI10-AS4	Connector Interface	HU
CI12-AS4	Connector Interface	HU
CI10-AM2	Connector Interface	HU
CI10-AM3	Connector Interface	HU
CI10-AS2	Connector Interface	HU
CI10-AS3	Connector Interface	HU
CI12-X01	Connector Interface	HU

Description of Change: Tool Update
<p>The tool for the above Catalog PNs has been refurbished at our manufacturing facility in Hungary. An opportunity has been taken to improve previous product design to ensure that they are in line with our current product designs of Connector Interfaces. We have introduced better hinge and clip features to improve the performance and reduce the overall length.</p> <p>There are minor variations in dimensions and markings of the finished product produced on the new tool, these are detailed in the attached drawings.</p> <p>The new tool produces fully compliant product and has been tested for fit and function, ensuring compatibility with existing products.</p> <p><b>Please note the company's policy is one of the continuous improvements and reserves the right to change specification at any time without prior notice.</b></p>

*For lead times and available stock of specific part numbers, please contact either the European Distribution Centre or Coleshill Customer support teams and sales offices.*

Coleshill UK - [cmgukcustomerservice@gb.abb.com](mailto:cmgukcustomerservice@gb.abb.com)  
EDC Belgium- [lal\\_customerservice@be.abb.com](mailto:lal_customerservice@be.abb.com)

PCN Details:			
<b>PCN Issued by:</b>	Harpreet Kaur	<b>Business Development Manager:</b>	Nathan Cook
<b>Announcement date:</b>	22 <sup>nd</sup> April 2024	<b>Product Line Manager:</b>	Harpreet Kaur
<b>Change effective date:</b>	22 <sup>nd</sup> April 2024	<b>Manufacturing Unit Manager:</b>	Janos Tamas

Please reply to:

ABB Cable Management Products Limited  
CMG House, Station Road  
Coleshill  
Birmingham  
B46 1HT  
United Kingdom

Tel: +44 (0) 1675 468200  
[cmgukcustomerservice@gb.abb.com](mailto:cmgukcustomerservice@gb.abb.com)  
Web: [www.abb.com/low-voltage](http://www.abb.com/low-voltage)

Registered Office:

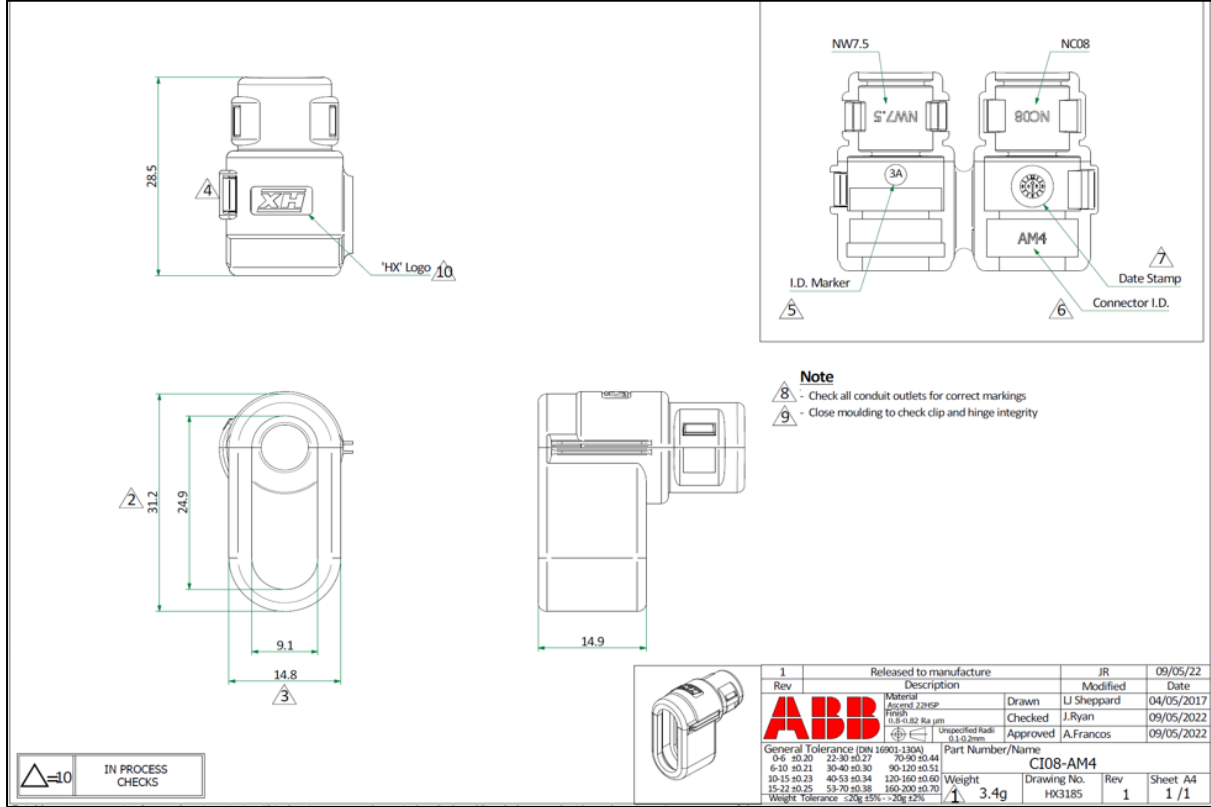
C/O ABB Limited  
Daresbury Park, Daresbury  
Warrington  
Cheshire  
WA4 4BT  
United Kingdom

Reg No. 00675001 England  
VAT No. GB 232 8192 70  
[info@gb.abb.com](mailto:info@gb.abb.com)  
Web: [www.abb.com/uk](http://www.abb.com/uk)

# Drawings

PCN REF: 20240422.HFX

## CI08-AM4



Please reply to:

ABB Cable Management Products Limited  
 CMG House, Station Road  
 Coleshill  
 Birmingham  
 B46 1HT  
 United Kingdom

Tel: +44 (0) 1675 468200  
 cmgukcustomerservice@gb.abb.com  
 Web: www.abb.com/low-voltage

Registered Office:

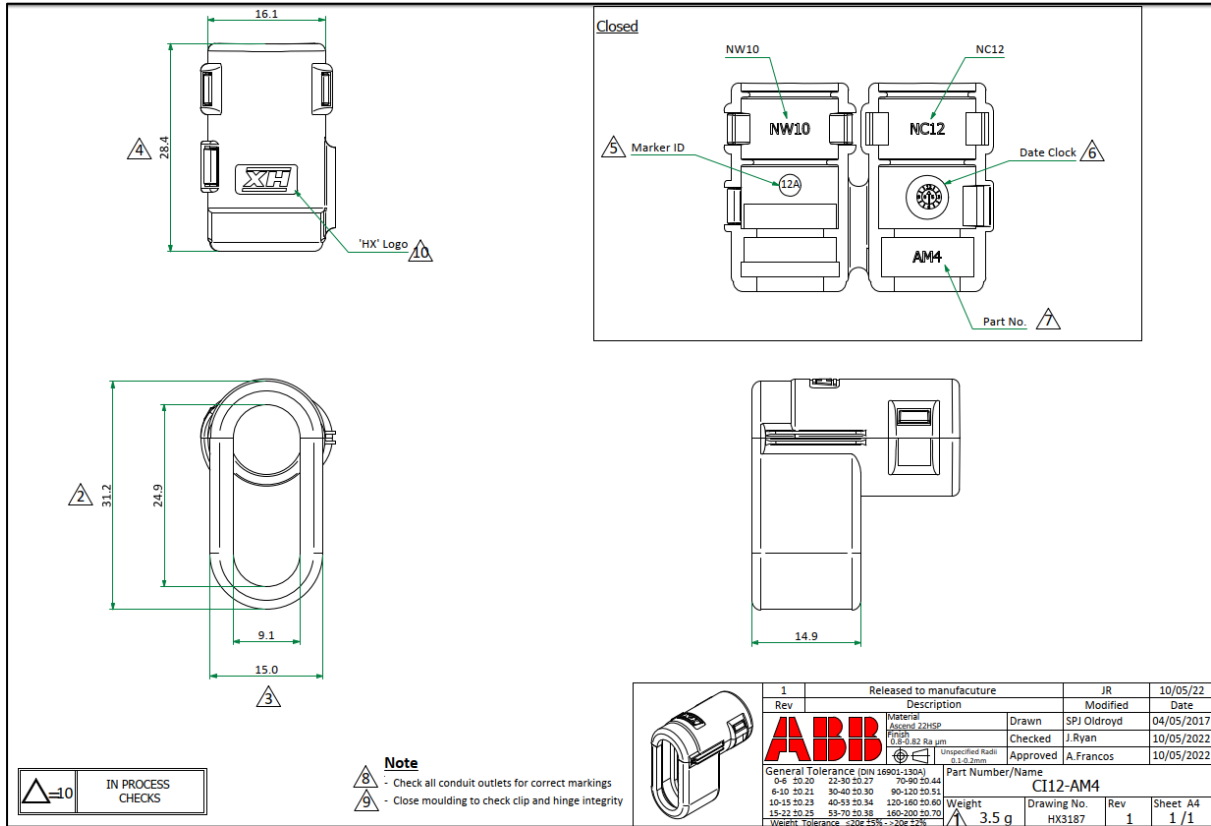
C/O ABB Limited  
 Daresbury Park, Daresbury  
 Warrington  
 Cheshire  
 WA4 4BT  
 United Kingdom

Reg No. 00675001 England  
 VAT No. GB 232 8192 70  
 info@gb.abb.com  
 Web: www.abb.com/uk

# Drawings

PCN REF: 20240422.HFX

## CI12-AM4

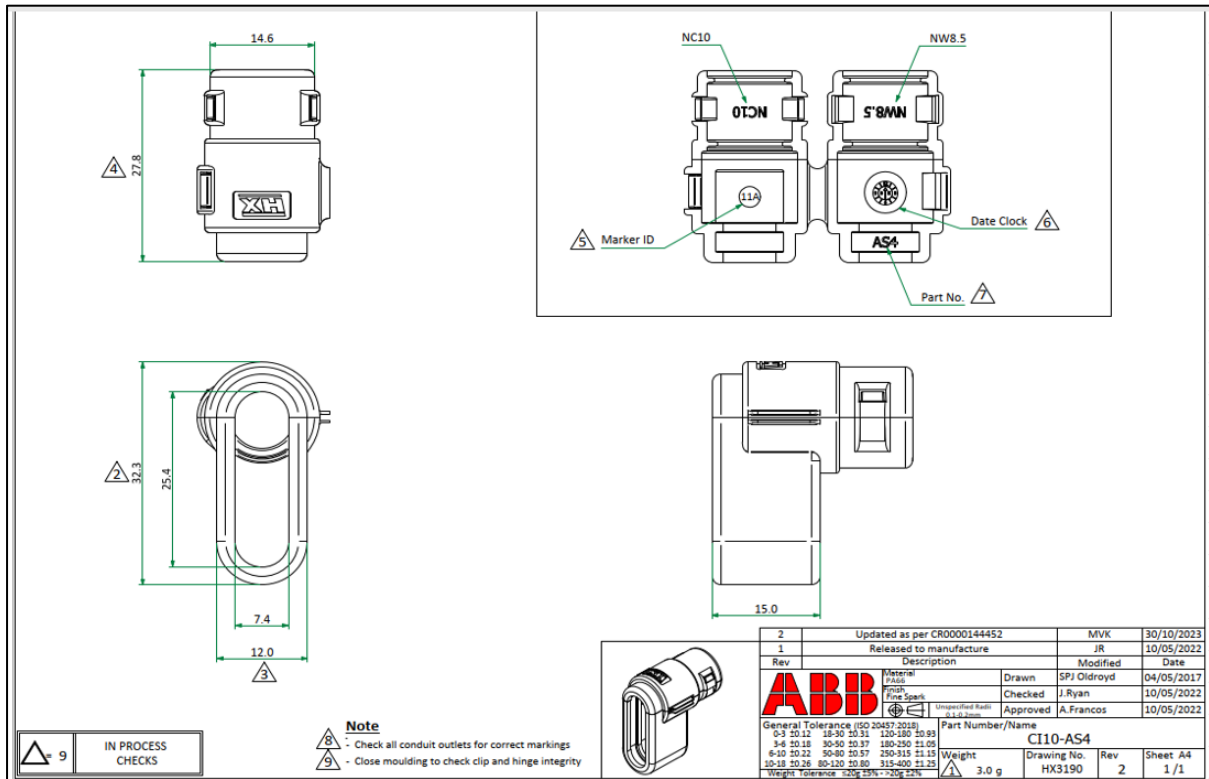




# Drawings

PCN REF: 20240422.HFX

## CI10-AS4



Please reply to:

ABB Cable Management Products Limited  
 CMG House, Station Road  
 Coleshill  
 Birmingham  
 B46 1HT  
 United Kingdom

Tel: +44 (0) 1675 468200  
 cmgukcustomerservice@gb.abb.com  
 Web: www.abb.com/low-voltage

Registered Office:

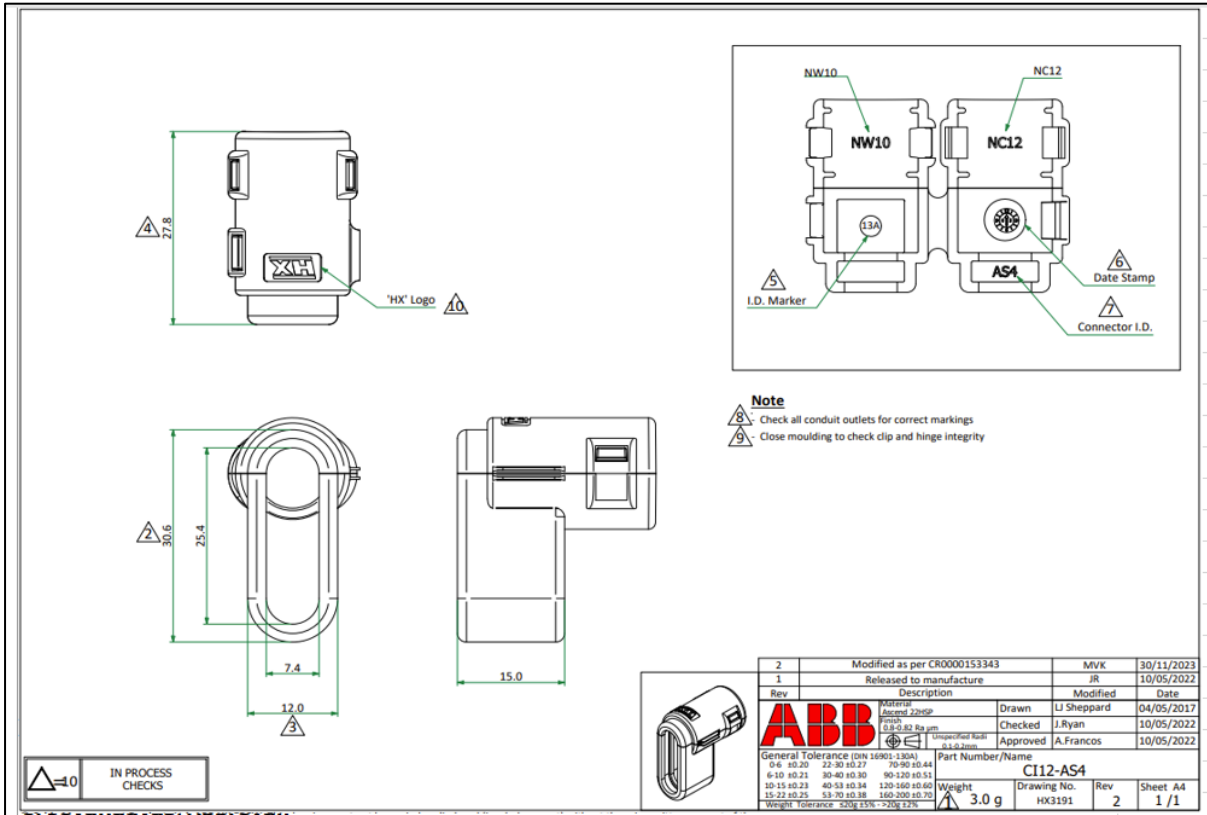
C/O ABB Limited  
 Daresbury Park, Daresbury  
 Warrington  
 Cheshire  
 WA4 4BT  
 United Kingdom

Reg No. 00675001 England  
 VAT No. GB 232 8192 70  
 info@gb.abb.com  
 Web: www.abb.com/uk

# Drawings

PCN REF: 20240422.HFX

CI12-AS4



Please reply to:

ABB Cable Management Products Limited  
 CMG House, Station Road  
 Coleshill  
 Birmingham  
 B46 1HT  
 United Kingdom

Tel: +44 (0) 1675 468200  
 cmgukcustomerservice@gb.abb.com  
 Web: www.abb.com/low-voltage

Registered Office:

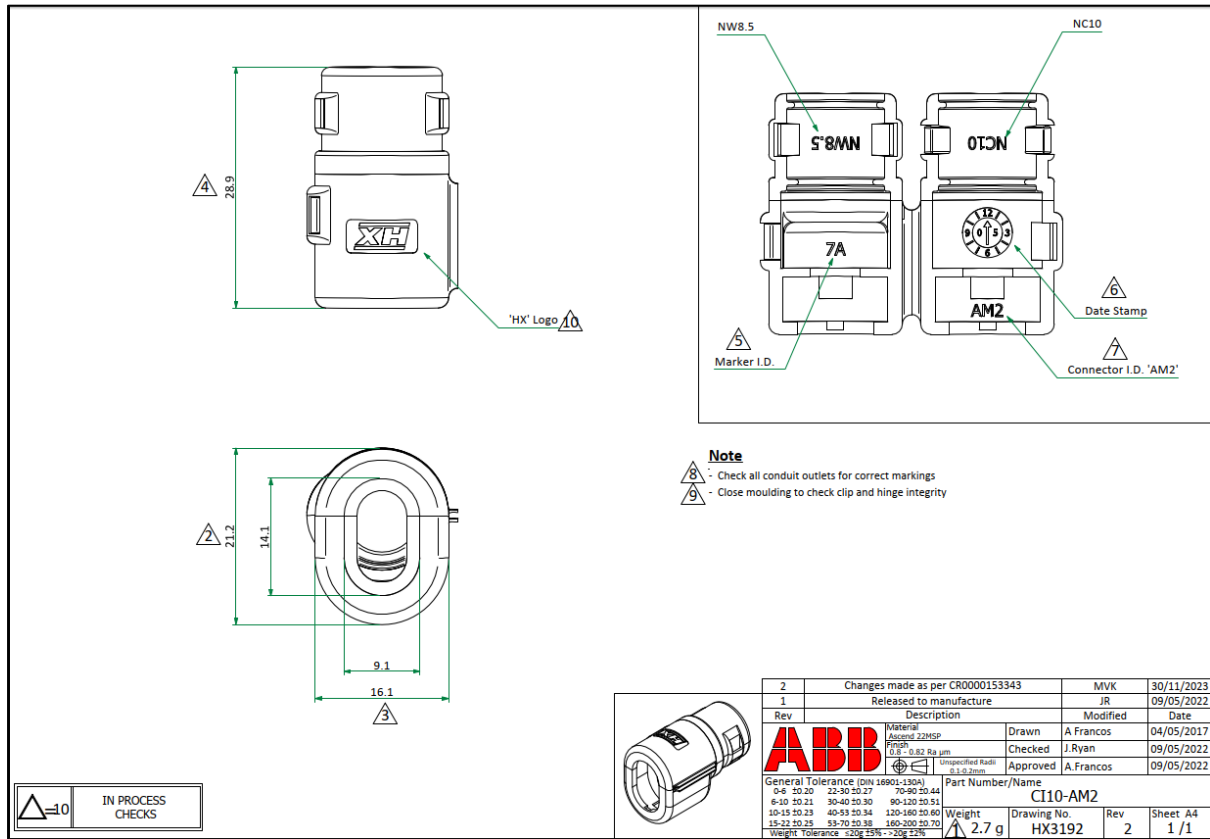
C/O ABB Limited  
 Daresbury Park, Daresbury  
 Warrington  
 Cheshire  
 WA4 4BT  
 United Kingdom

Reg No. 00675001 England  
 VAT No. GB 232 8192 70  
 info@gb.abb.com  
 Web: www.abb.com/uk

# Drawings

PCN REF: 20240422.HFX

## CI10-AM2



Please reply to:

ABB Cable Management Products Limited  
 CMG House, Station Road  
 Coleshill  
 Birmingham  
 B46 1HT  
 United Kingdom

Tel: +44 (0) 1675 468200  
 cmgukcustomerservice@gb.abb.com  
 Web: www.abb.com/low-voltage

Registered Office:

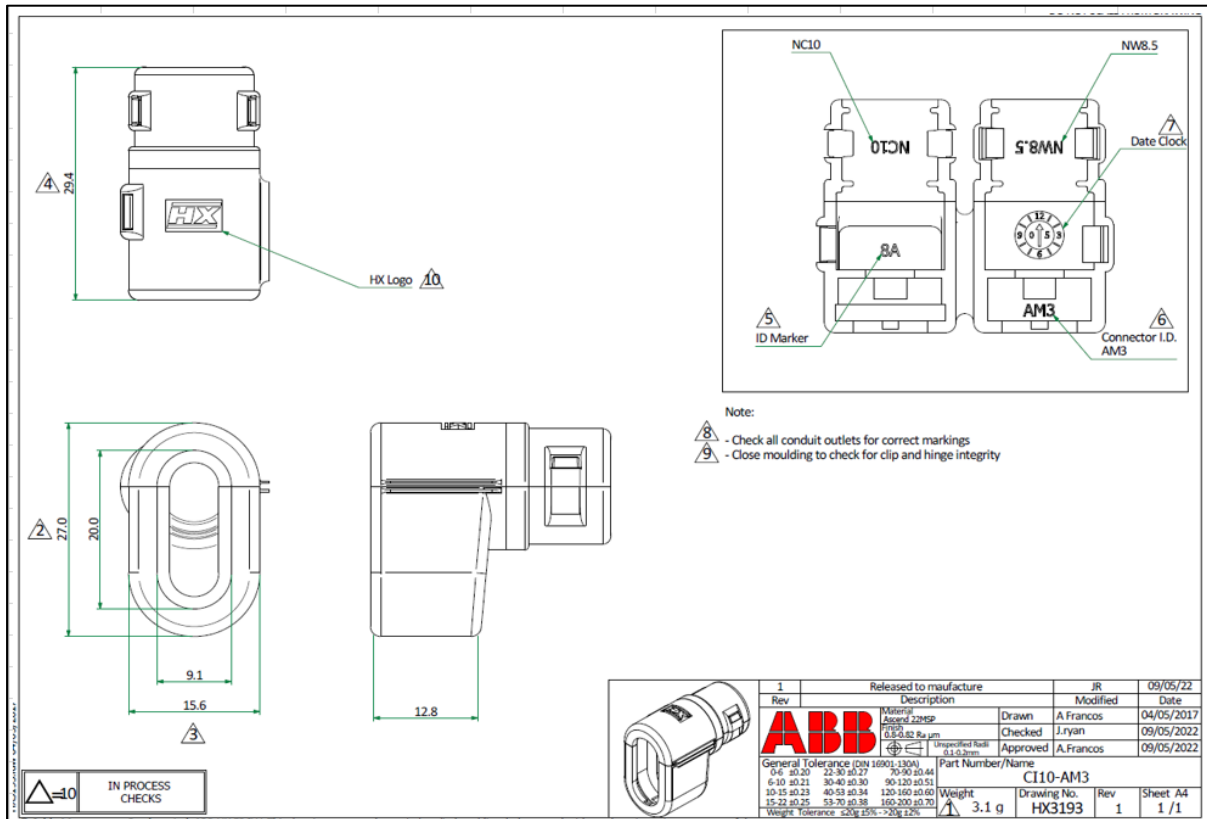
C/O ABB Limited  
 Daresbury Park, Daresbury  
 Warrington  
 Cheshire  
 WA4 4BT  
 United Kingdom

Reg No. 00675001 England  
 VAT No. GB 232 8192 70  
 info@gb.abb.com  
 Web: www.abb.com/uk

# Drawings

PCN REF: 20240422.HFX

## CI10-AM3



Please reply to:

ABB Cable Management Products Limited  
 CMG House, Station Road  
 Coleshill  
 Birmingham  
 B46 1HT  
 United Kingdom

Tel: +44 (0) 1675 468200  
 cmgukcustomerservice@gb.abb.com  
 Web: www.abb.com/low-voltage

Registered Office:

C/O ABB Limited  
 Daresbury Park, Daresbury  
 Warrington  
 Cheshire  
 WA4 4BT  
 United Kingdom

Reg No. 00675001 England  
 VAT No. GB 232 8192 70  
 info@gb.abb.com  
 Web: www.abb.com/uk



# Drawings

PCN REF: 20240422.HFX

## CI10-AS2

**Note**

- ⚠️ Check all conduit outlets for correct markings
- ⚠️ Close moulding to check clip and hinge integrity

**IN PROCESS CHECKS**

1	Released to manufacture	JR	09/05/22
Rev	Description	Modified	Date
	Material: <b>ABB</b> Jacecord 22MSP	Drawn: A.Francos	04/05/2017
	FSOP: 0.8 - 0.82 Ra µm	Checked: J.Ryan	09/05/2022
	Unspecified Matt: 0.1-0.20mm	Approved: A.Francos	09/05/2022
General Tolerance (DIN 16901-1304)		Part Number/Name	
0-6 20.20	22-30 20.27	CI10-AS2	
6-10 20.21	30-40 20.30	Weight	Drawing No.
10-15 20.23	40-50 20.34	2.1 g	HX3194
15-22 20.25	50-70 20.38	Rev	1
	70-90 20.44	Sheet A4	1 / 1
	90-120 20.51		
	120-160 20.60		
	160-200 20.70		
Weight Tolerance: +20% -20%			

Please reply to:

ABB Cable Management Products Limited  
 CMG House, Station Road  
 Coleshill  
 Birmingham  
 B46 1HT  
 United Kingdom

Tel: +44 (0) 1675 468200  
 cmgukcustomerservice@gb.abb.com  
 Web: www.abb.com/low-voltage

Registered Office:

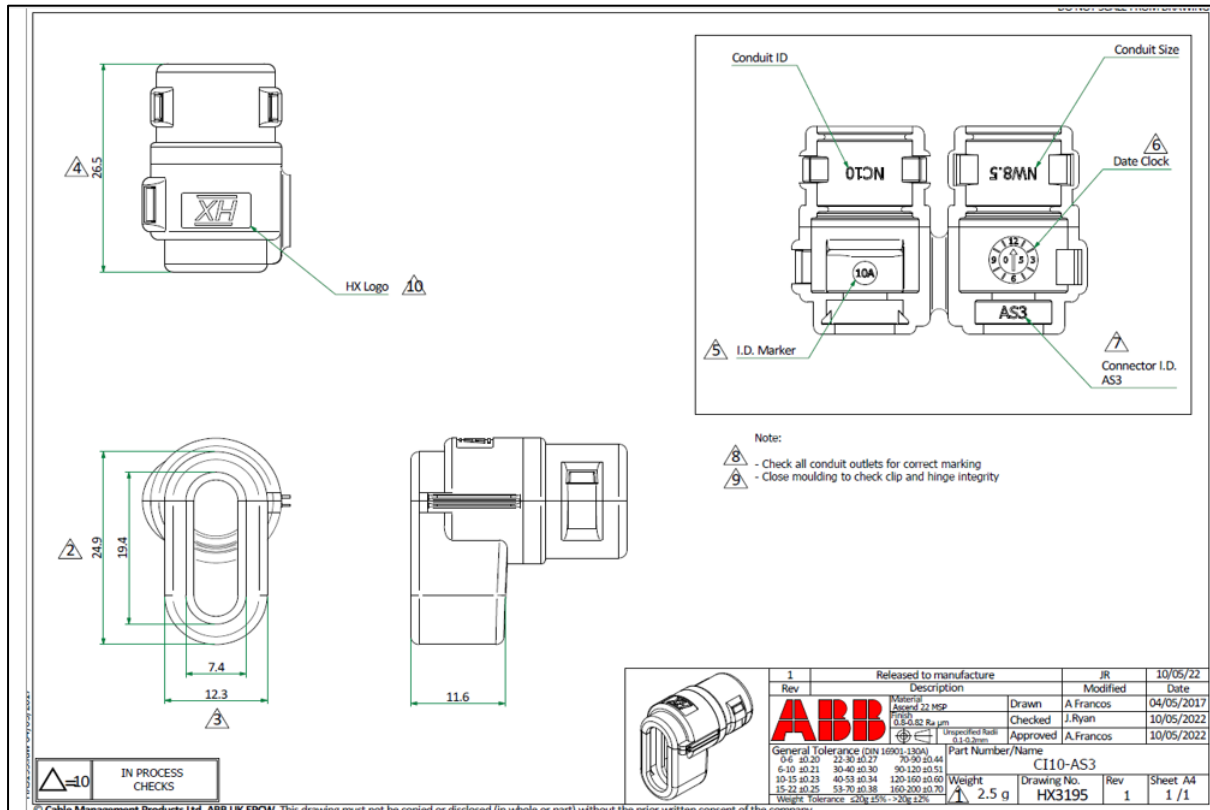
C/O ABB Limited  
 Daresbury Park, Daresbury  
 Warrington  
 Cheshire  
 WA4 4BT  
 United Kingdom

Reg No. 00675001 England  
 VAT No. GB 232 8192 70  
 info@gb.abb.com  
 Web: www.abb.com/uk

# Drawings

PCN REF: 20240422.HFX

## CI10-AS3



Please reply to:

ABB Cable Management Products Limited  
 CMG House, Station Road  
 Coleshill  
 Birmingham  
 B46 1HT  
 United Kingdom

Tel: +44 (0) 1675 468200  
 cmgukcustomerservice@gb.abb.com  
 Web: www.abb.com/low-voltage

Registered Office:

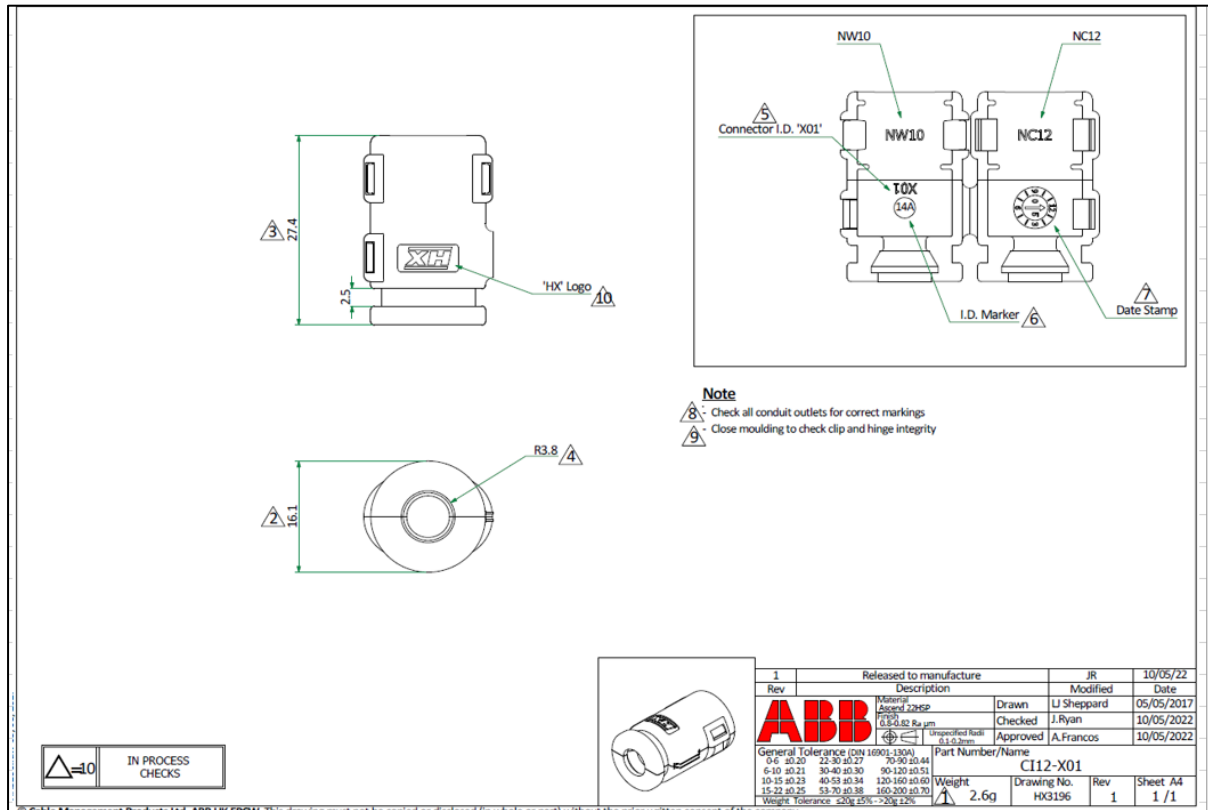
C/O ABB Limited  
 Daresbury Park, Daresbury  
 Warrington  
 Cheshire  
 WA4 4BT  
 United Kingdom

Reg No. 00675001 England  
 VAT No. GB 232 8192 70  
 info@gb.abb.com  
 Web: www.abb.com/uk

# Drawings

PCN REF: 20240422.HFX

## CI12-X01



Please reply to:

ABB Cable Management Products Limited  
 CMG House, Station Road  
 Coleshill  
 Birmingham  
 B46 1HT  
 United Kingdom

Tel: +44 (0) 1675 468200  
 cmgukcustomerservice@gb.abb.com  
 Web: www.abb.com/low-voltage

Registered Office:

C/O ABB Limited  
 Daresbury Park, Daresbury  
 Warrington  
 Cheshire  
 WA4 4BT  
 United Kingdom

Reg No. 00675001 England  
 VAT No. GB 232 8192 70  
 info@gb.abb.com  
 Web: www.abb.com/uk